

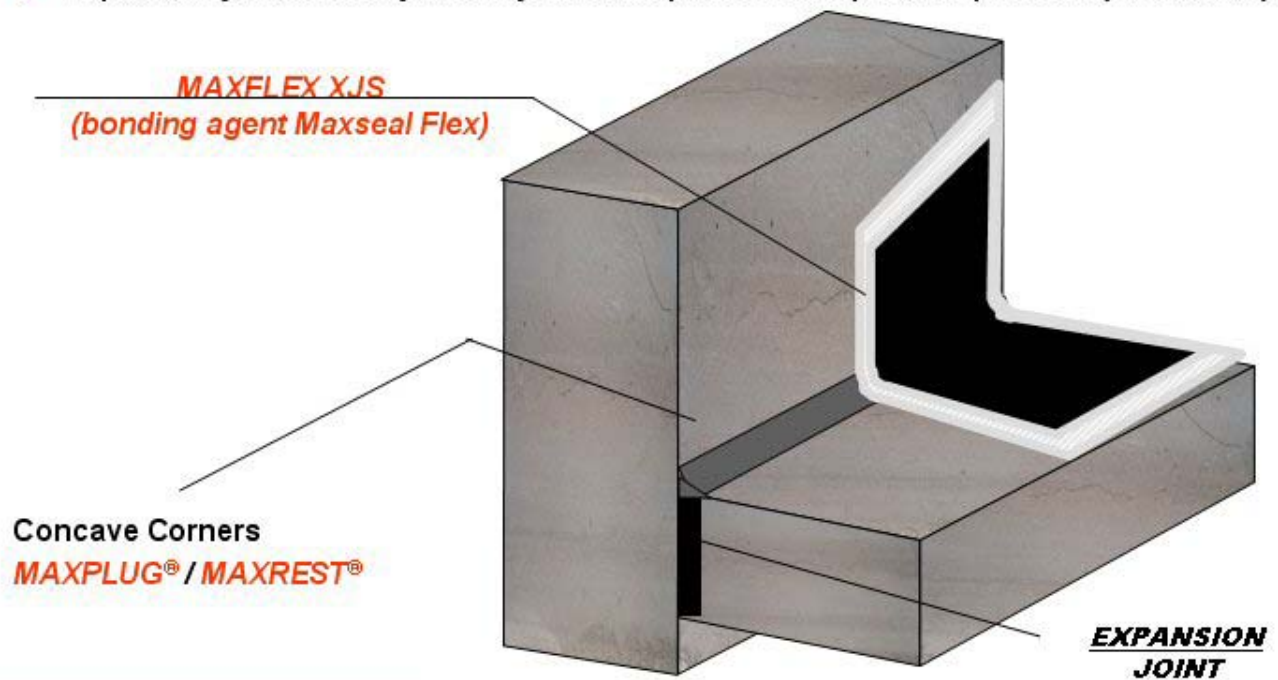
Isolated slab detail for waterproofing/sealing water retaining structures



MAXFLEX XJS

*Application
Instructions*

- Expansion joint not subject to hydrostatic pressure for positive pressure(CORNERS):



Protection and waterproofing systems